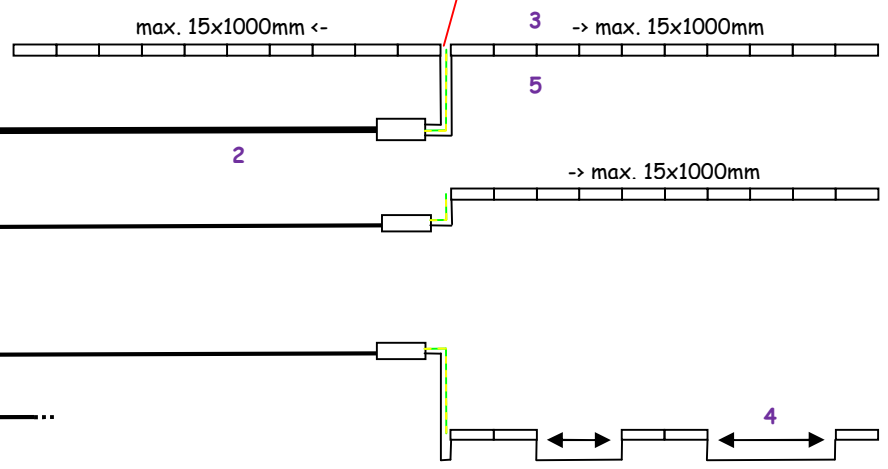


Max. EXVB power cable length (3G or 5G)
 2,5mm² => 66m @ 15x1000mm LEDline ECO
 4mm² => 106m @ 15x1000mm LEDline ECO
 (2V voltage drop on cable)

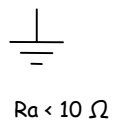
Earthing connected to mounting profile



Metal structure in which the LEDlines are mounted

For cables and section in specific situation: ask for info

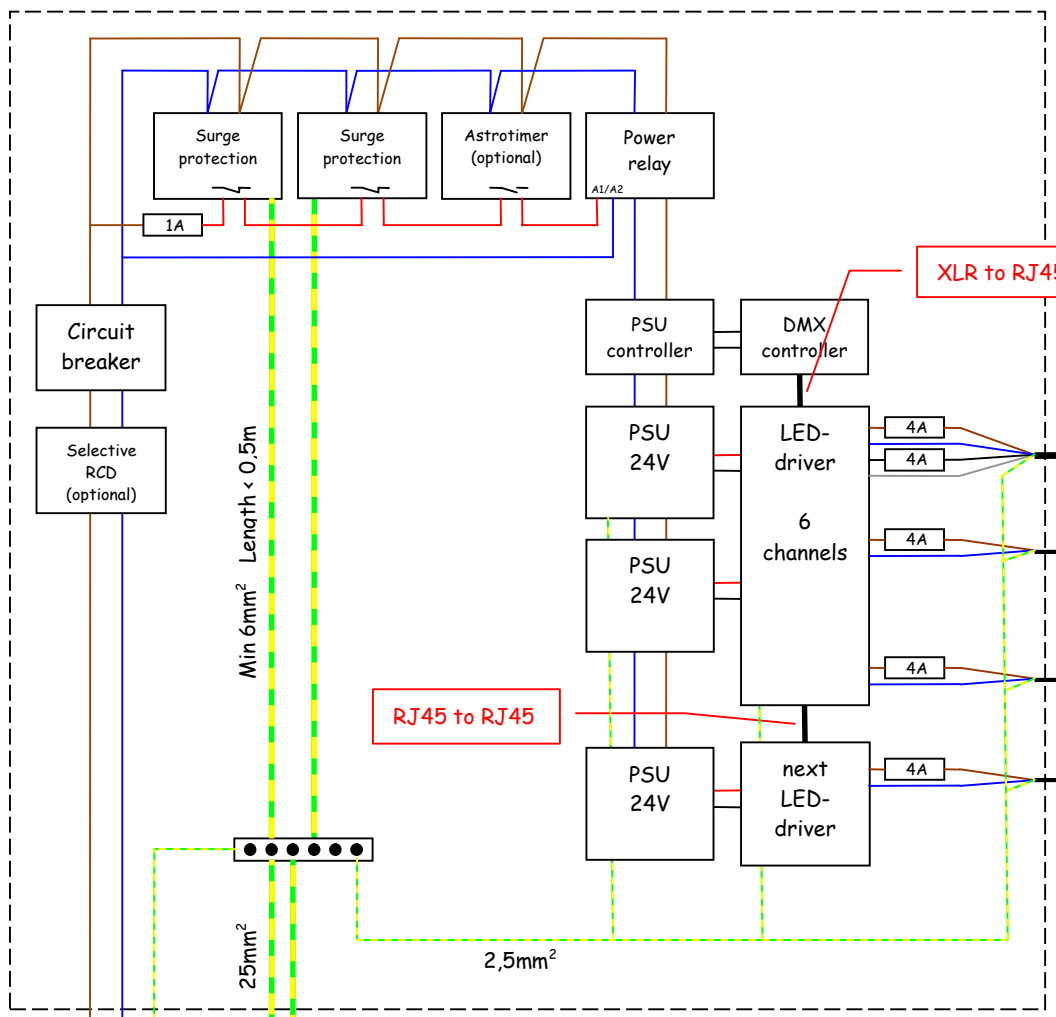
!! For earthing cables stranded wire has to be used !!



Earthing pin next to PSU cabinet

- 1: Power Boxes pre-assembled
- 2: Power cables
- 3: LEDunits 2.0
- 4: Connection cables
- 5: Installation profiles

 <p>LED's illuminate your project!</p>	Wiring	15/02/2018
	LEDline 2.0 ECO monocolor	

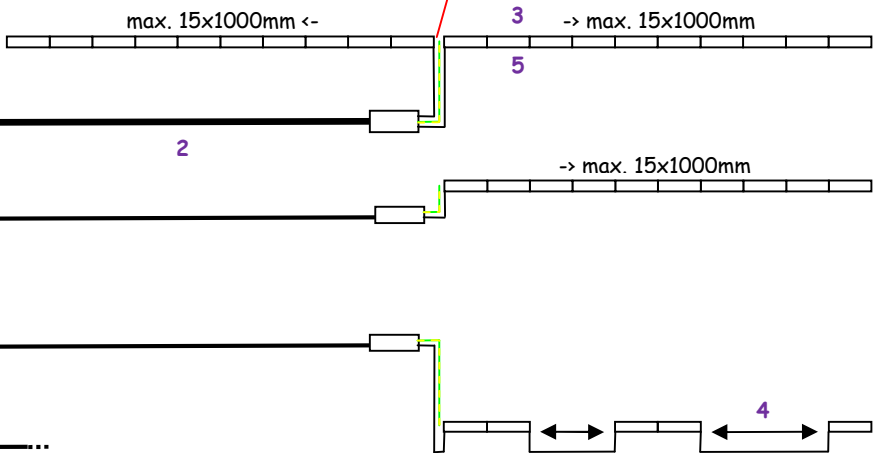


Max. EXVB power cable length (3G or 5G)
 2,5mm² => 66m @ 15x1000mm LEDline ECO
 4mm² => 106m @ 15x1000mm LEDline ECO
 (2V voltage drop on cable)

Earthing connected to mounting profile

XLR to RJ45

RJ45 to RJ45

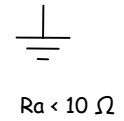


For cables and section in specific situation: ask for info

Metal structure in which the LEDlines are mounted

- 1: Power Boxes pre-assembled
- 2: Power cables
- 3: LEDunits 2.0
- 4: Connection cables
- 5: Installation profiles

!! For earthing cables stranded wire has to be used !!



Ra < 10 Ω
 Earthing pin next to PSU cabinet

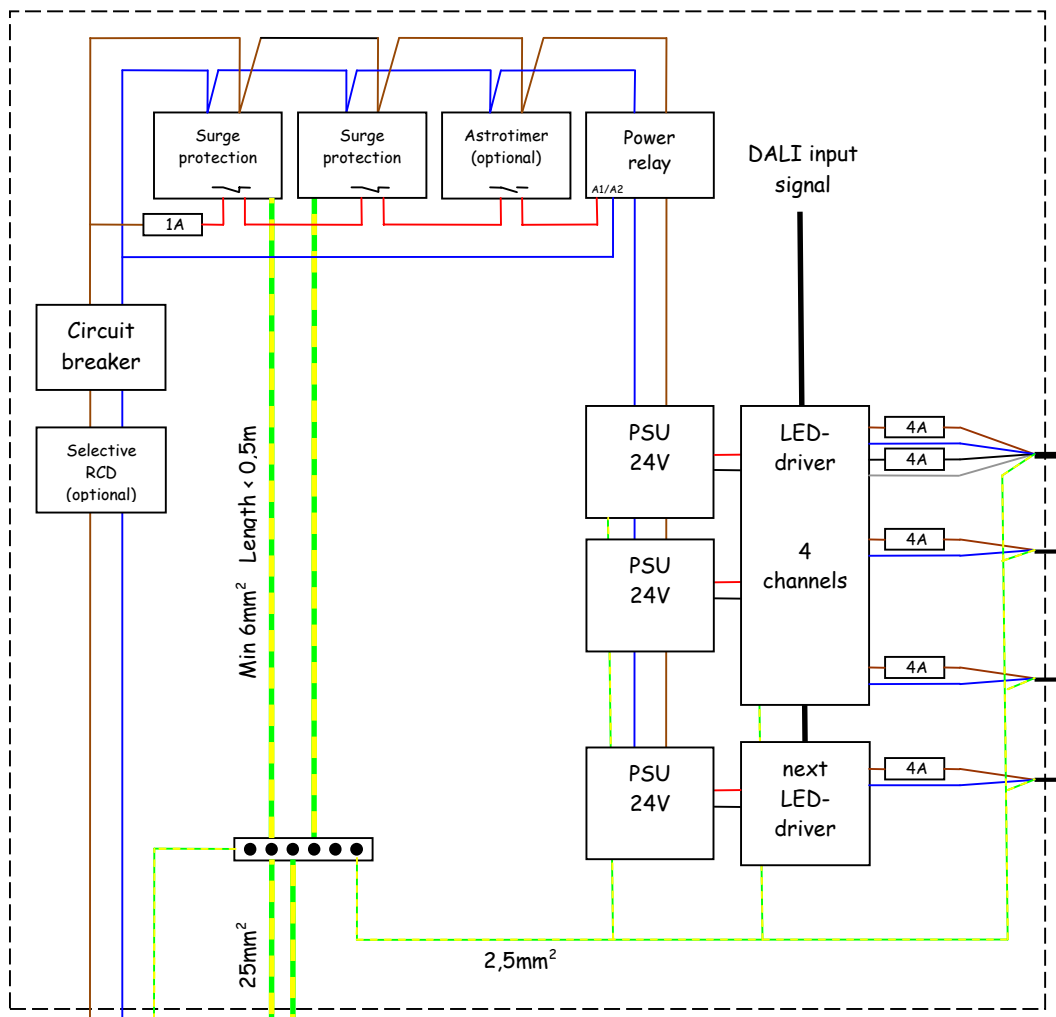
230VAC
 3x 2,5mm²

Min 6mm² Length < 0.5m

2,5mm²

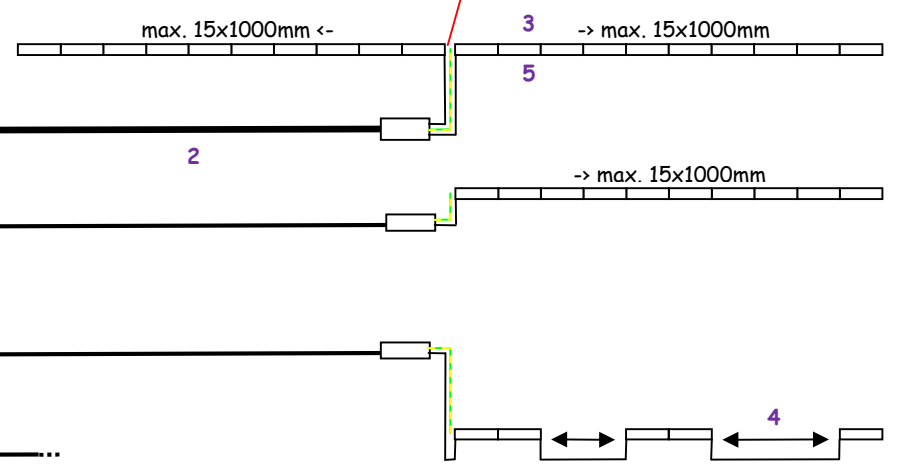
Min 6mm²

	Wiring	28/02/2018
	LEDline 2.0 ECO Monocolor dimming same address	



Max. EXVB power cable length (3G or 5G)
 2,5mm² => 66m @ 15x1000mm LEDline ECO
 4mm² => 106m @ 15x1000mm LEDline ECO
 (2V voltage drop on cable)

Earthing connected to mounting profile

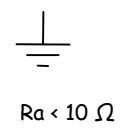


For cables and section in specific situation: ask for info

Metal structure in which the LEDlines are mounted

- 1: Power Boxes pre-assembled
- 2: Power cables
- 3: LEDunits 2.0
- 4: Connection cables
- 5: Installation profiles

!! For earthing cables stranded wire has to be used !!



Ra < 10 Ω
 Earthing pin next to PSU cabinet

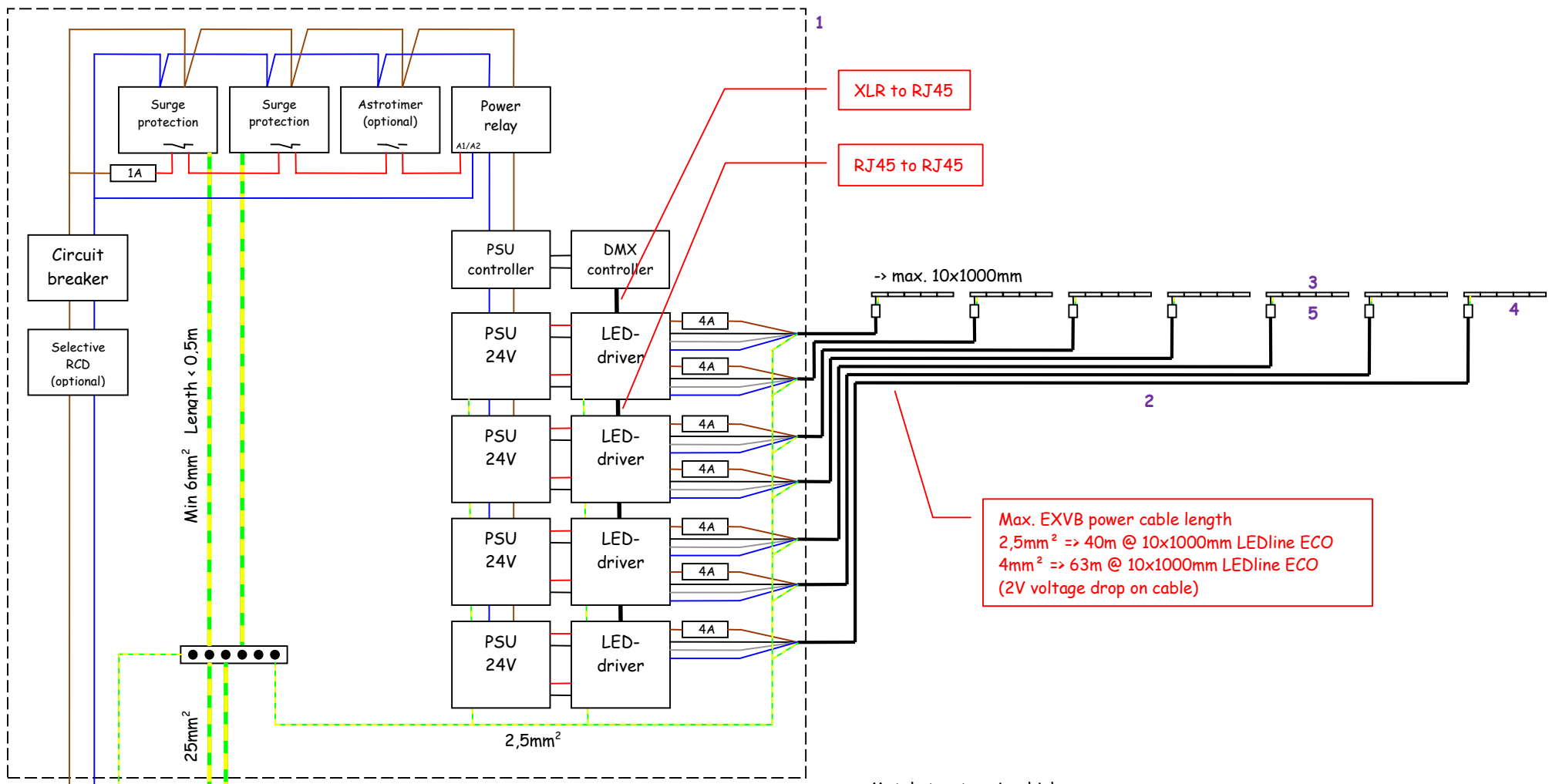
230VAC
 3x 2,5mm²

Min 6mm² Length < 0,5m

2,5mm²

Min 6mm²

	Wiring	23/05/2018
	LEDline 2.0 ECO Monocolor DALI dimming same address	



XLR to RJ45

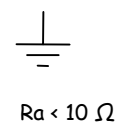
RJ45 to RJ45

Max. EXVB power cable length
 2,5mm² => 40m @ 10x1000mm LEDline ECO
 4mm² => 63m @ 10x1000mm LEDline ECO
 (2V voltage drop on cable)

Metal structure in which the LEDlines are mounted

- 1: Power Boxes pre-assembled
- 2: Power cables
- 3: LEDunits 2.0
- 4: Connection cables
- 5: Installation profiles

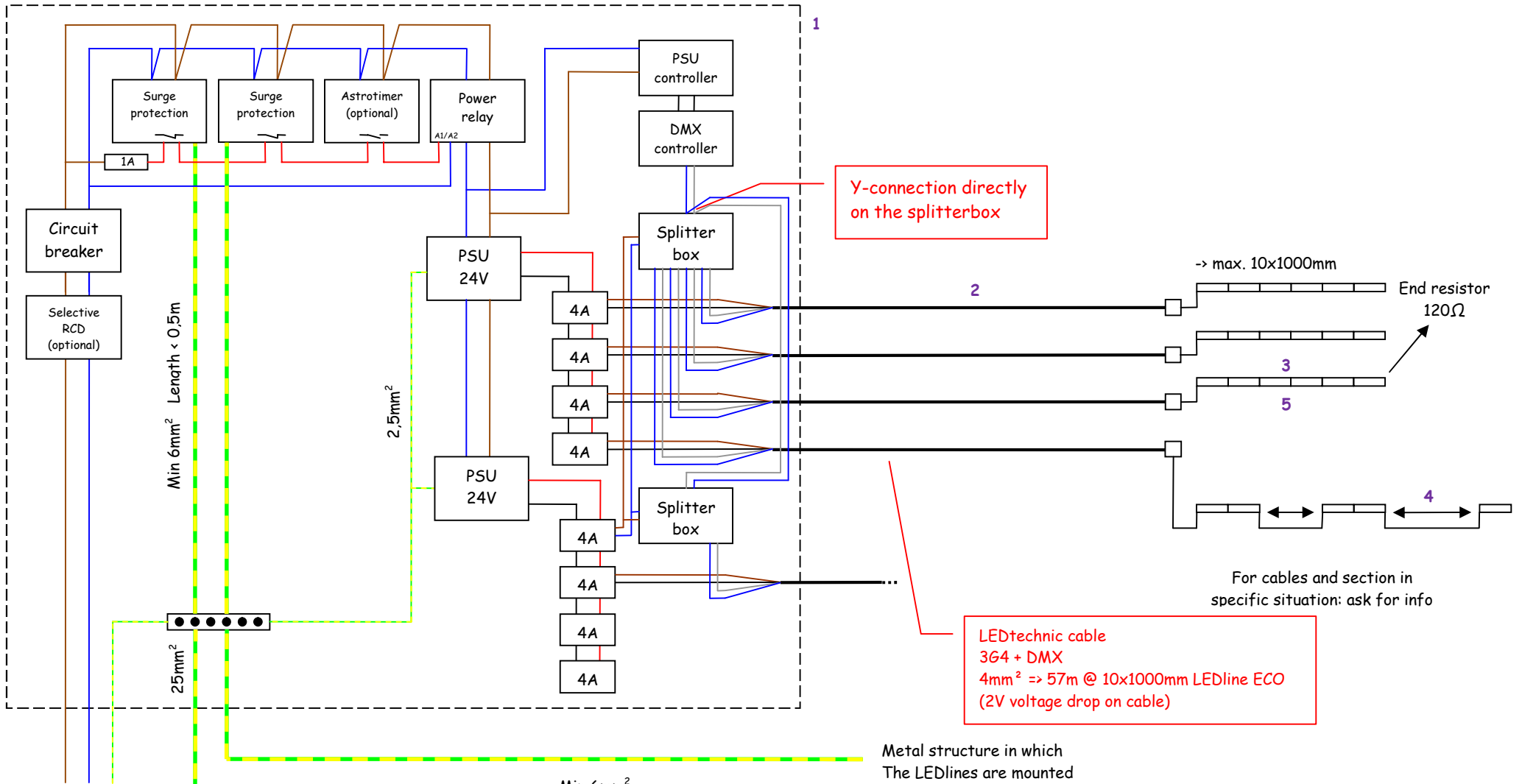
!! For earthing cables stranded wire has to be used !!



Ra < 10 Ω

Earthing pin next to PSU cabinet

	Wiring	19/02/2018
	LEDline 2.0 ECO RGB same address	

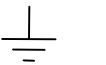


Y-connection directly on the splitterbox

LEDtechnic cable
3G4 + DMX
4mm² => 57m @ 10x1000mm LEDline ECO
(2V voltage drop on cable)

!! For earthing cables stranded wire has to be used !!

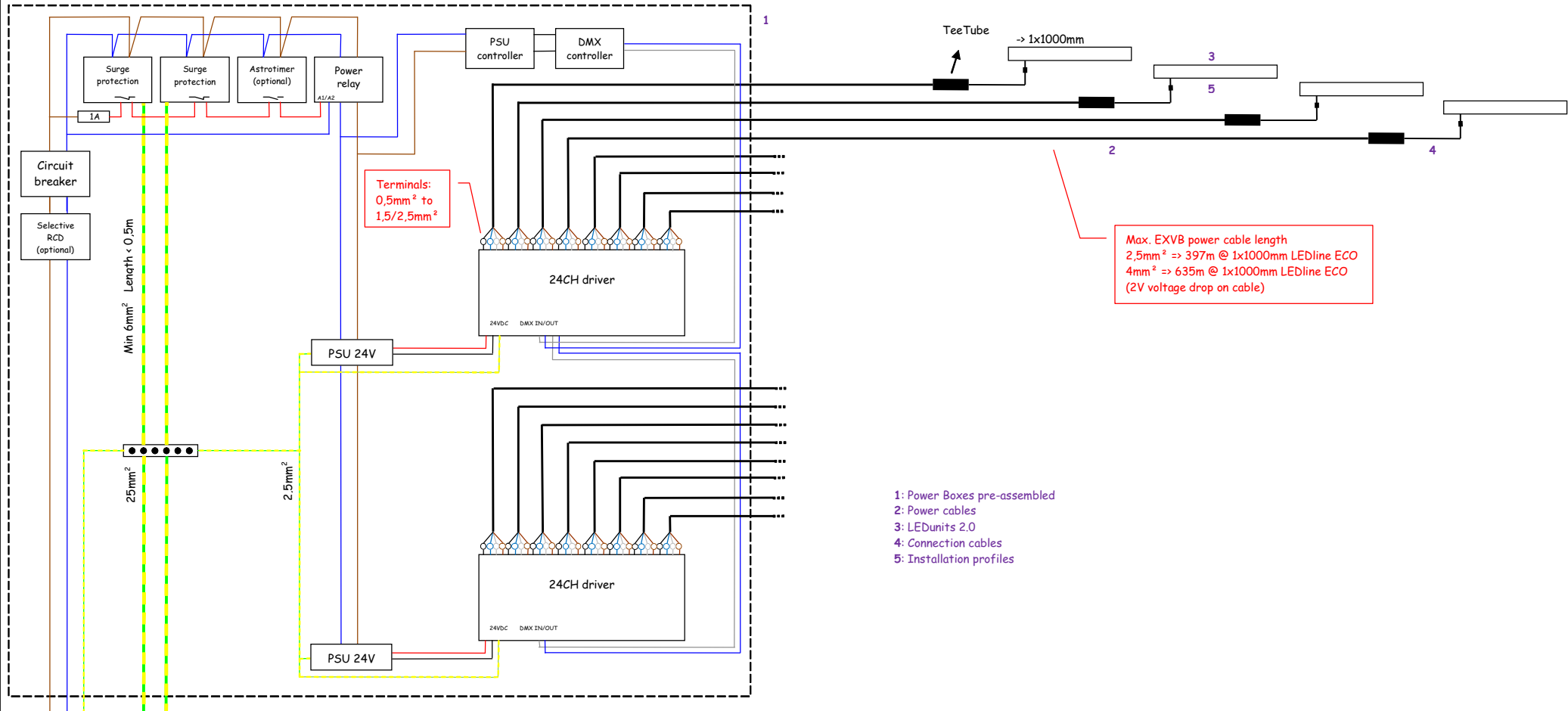
- 1: Power Boxes pre-assembled
- 2: Power cables
- 3: LEDunits 2.0
- 4: Connection cables
- 5: Installation profiles



Ra < 10 Ω

Earthing pin next to PSU cabinet

	Wiring	19/02/2018
	LEDline 2.0 ECO RGB individual address	



Terminals:
0,5mm² to
1,5/2,5mm²

Max. EXVB power cable length
2,5mm² => 397m @ 1x1000mm LEDline ECO
4mm² => 635m @ 1x1000mm LEDline ECO
(2V voltage drop on cable)

- 1: Power Boxes pre-assembled
- 2: Power cables
- 3: LEDunits 2.0
- 4: Connection cables
- 5: Installation profiles

Metal structure in which
the LEDlines are mounted

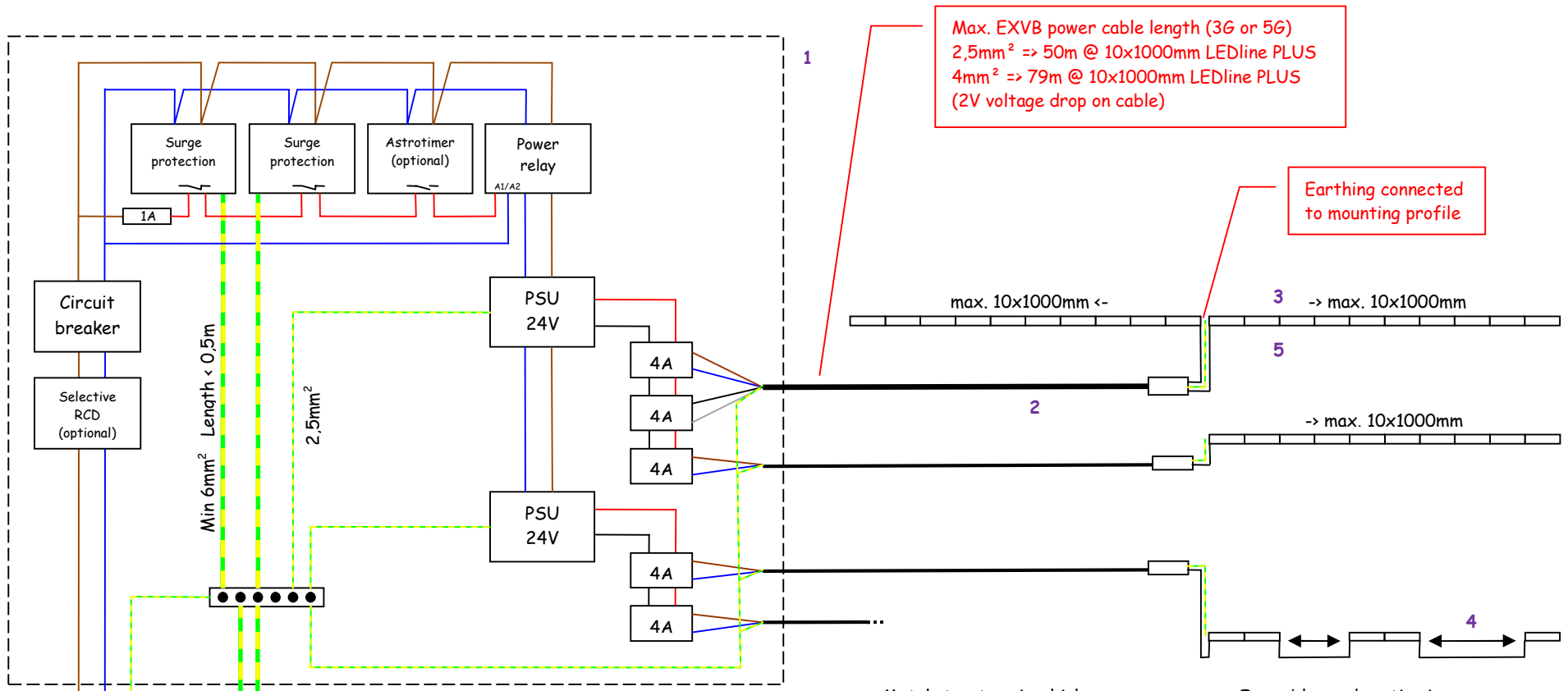
!! For earthing cables stranded wire has to be used !!



Ra < 10 Ω

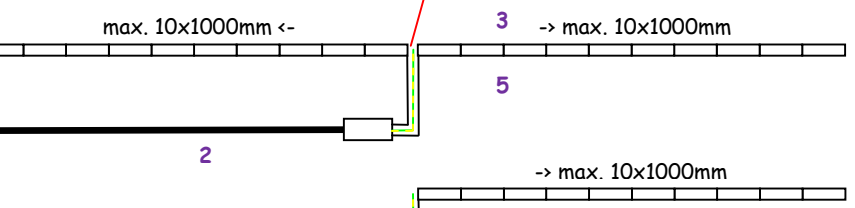
Earthing pin next to PSU cabinet

	Wiring	19/02/2018
	LEDline 2.0 ECO RGB individual address 24CH driver	



Max. EXVB power cable length (3G or 5G)
 2,5mm² => 50m @ 10x1000mm LEDline PLUS
 4mm² => 79m @ 10x1000mm LEDline PLUS
 (2V voltage drop on cable)

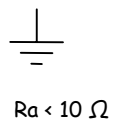
Earthing connected to mounting profile



Metal structure in which the LEDlines are mounted

For cables and section in specific situation: ask for info

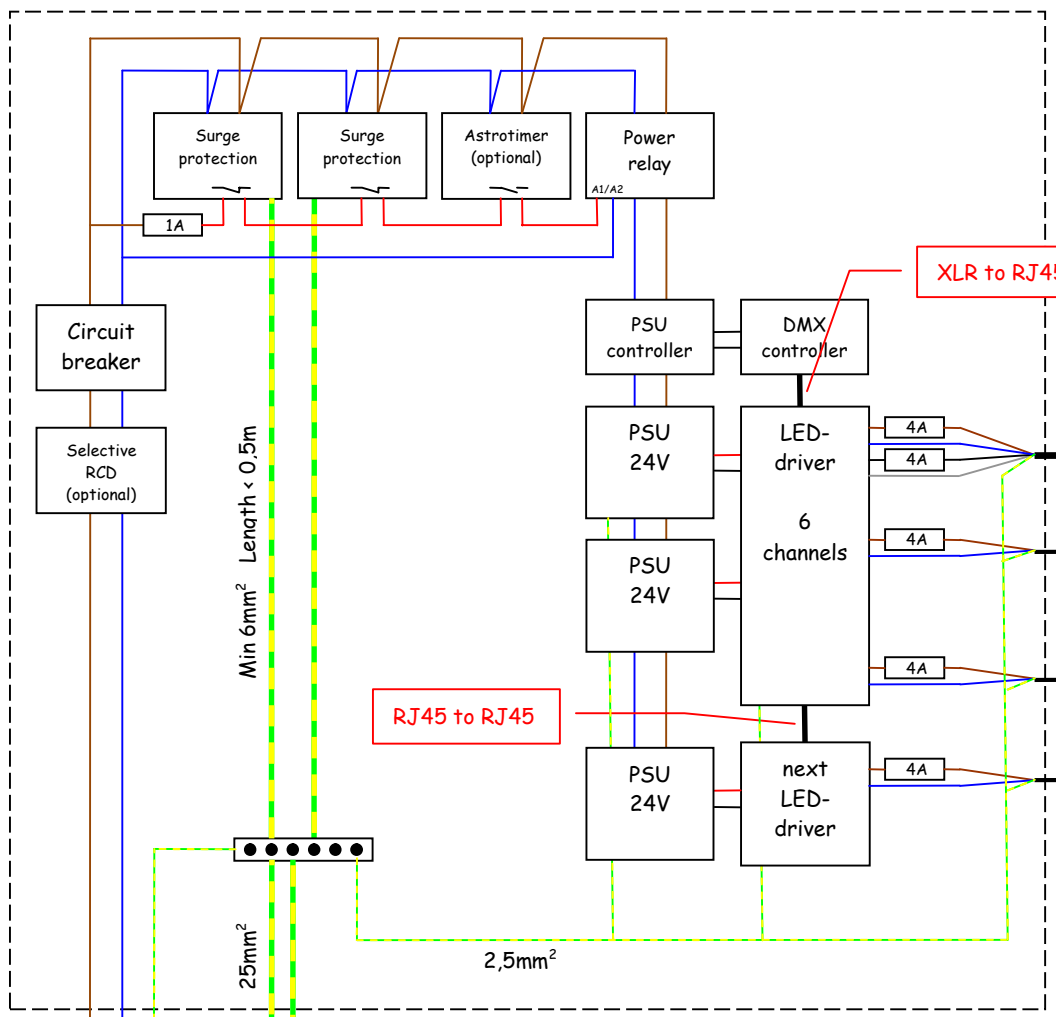
!! For earthing cables stranded wire has to be used !!



Earthing pin next to PSU cabinet

- 1: Power Boxes pre-assembled
- 2: Power cables
- 3: LEDunits 2.0
- 4: Connection cables
- 5: Installation profiles

	Wiring	15/02/2018
	LEDline 2.0 PLUS monocolor	



Max. EXVB power cable length (3G or 5G)
 2,5mm² => 50m @ 10x1000mm LEDline PLUS
 4mm² => 79m @ 10x1000mm LEDline PLUS
 (2V voltage drop on cable)

Earthing connected to mounting profile

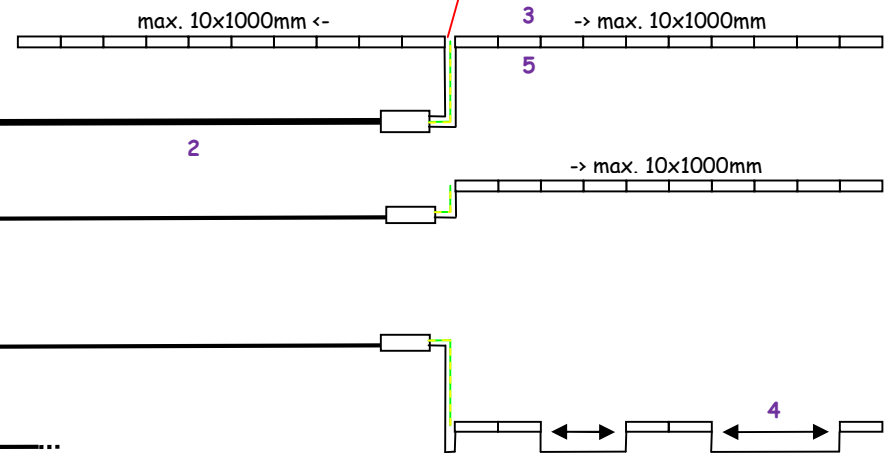
XLR to RJ45

RJ45 to RJ45

Min 6mm² Length < 0.5m

2,5mm²

Min 6mm²

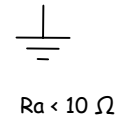


For cables and section in specific situation: ask for info

- 1: Power Boxes pre-assembled
- 2: Power cables
- 3: LEDunits 2.0
- 4: Connection cables
- 5: Installation profiles

Metal structure in which the LEDlines are mounted

!! For earthing cables stranded wire has to be used !!

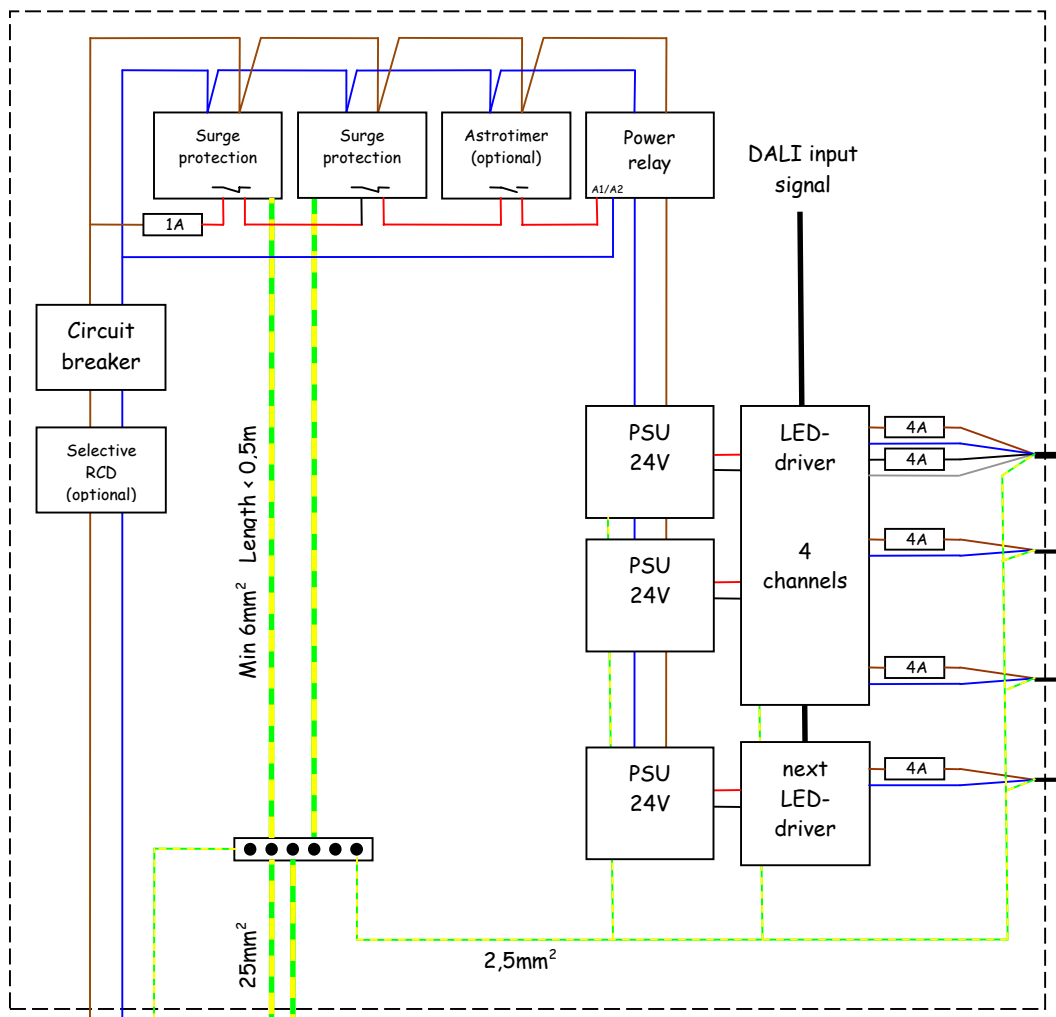


Ra < 10 Ω

Earthing pin next to PSU cabinet

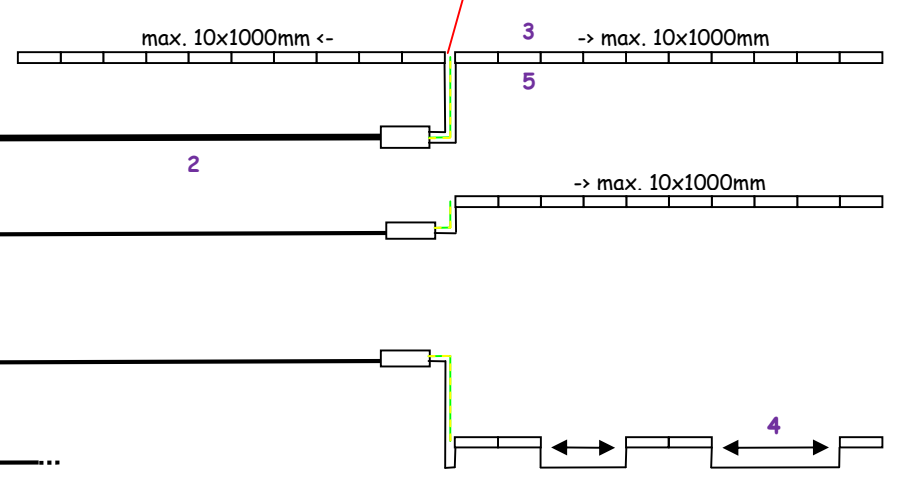
230VAC
3x 2,5mm²

	Wiring	28/02/2018
	LEDline 2.0 PLUS Monocolor dimming same address	



Max. EXVB power cable length (3G or 5G)
 2,5mm² => 50m @ 10x1000mm LEDline PLUS
 4mm² => 79m @ 10x1000mm LEDline PLUS
 (2V voltage drop on cable)

Earthing connected to mounting profile

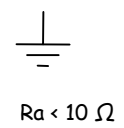



For cables and section in specific situation: ask for info

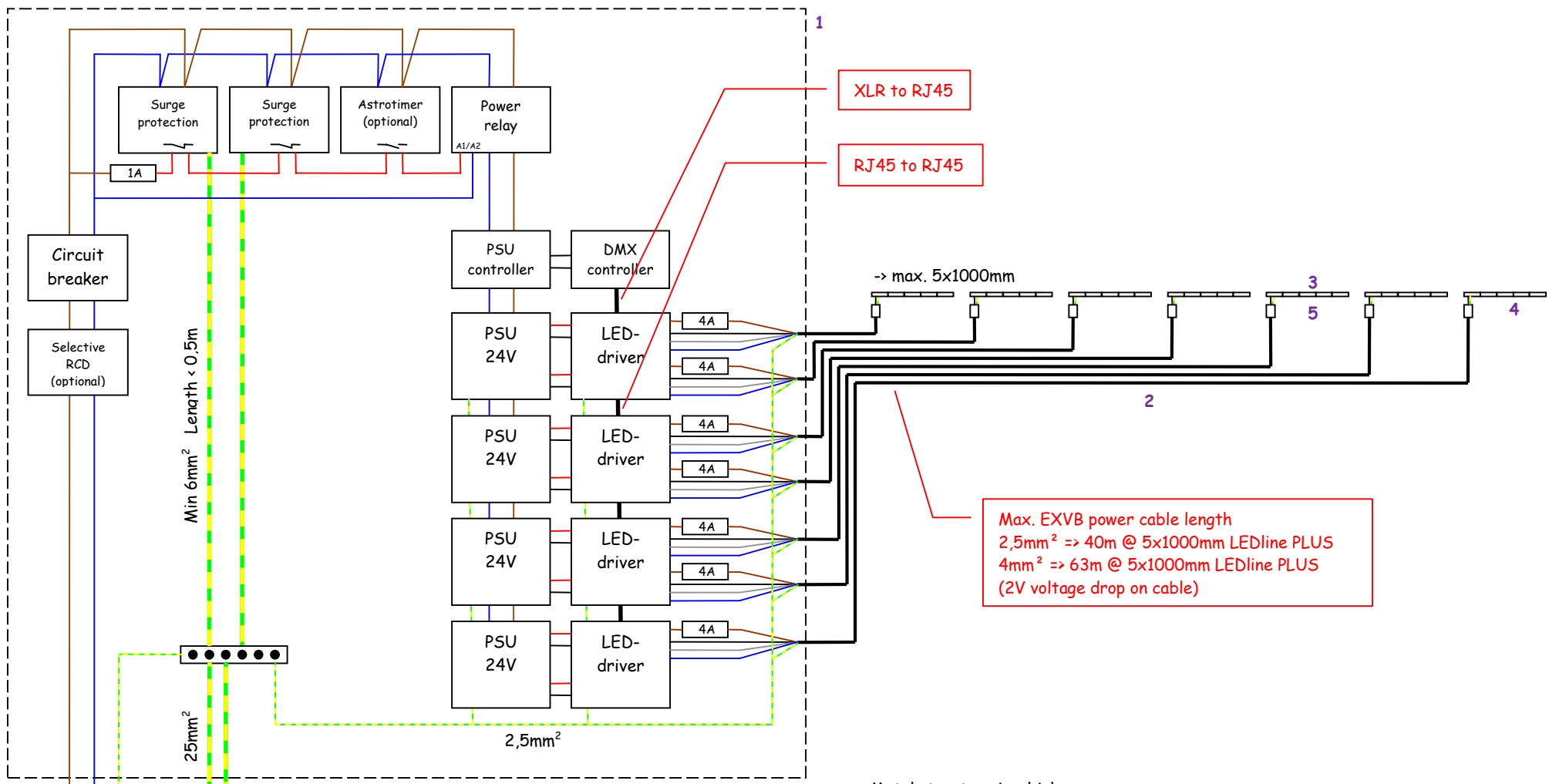
Metal structure in which the LEDlines are mounted

- 1: Power Boxes pre-assembled
- 2: Power cables
- 3: LEDunits 2.0
- 4: Connection cables
- 5: Installation profiles

!! For earthing cables stranded wire has to be used !!



 LED's illuminate your project!	Wiring	23/05/2018
	LEDline 2.0 PLUS Monocolor DALI dimming same address	



XLR to RJ45

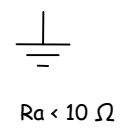
RJ45 to RJ45

Max. EXVB power cable length
 2,5mm² => 40m @ 5x1000mm LEDline PLUS
 4mm² => 63m @ 5x1000mm LEDline PLUS
 (2V voltage drop on cable)

Metal structure in which
 the LEDlines are mounted

- 1: Power Boxes pre-assembled
- 2: Power cables
- 3: LEDunits 2.0
- 4: Connection cables
- 5: Installation profiles

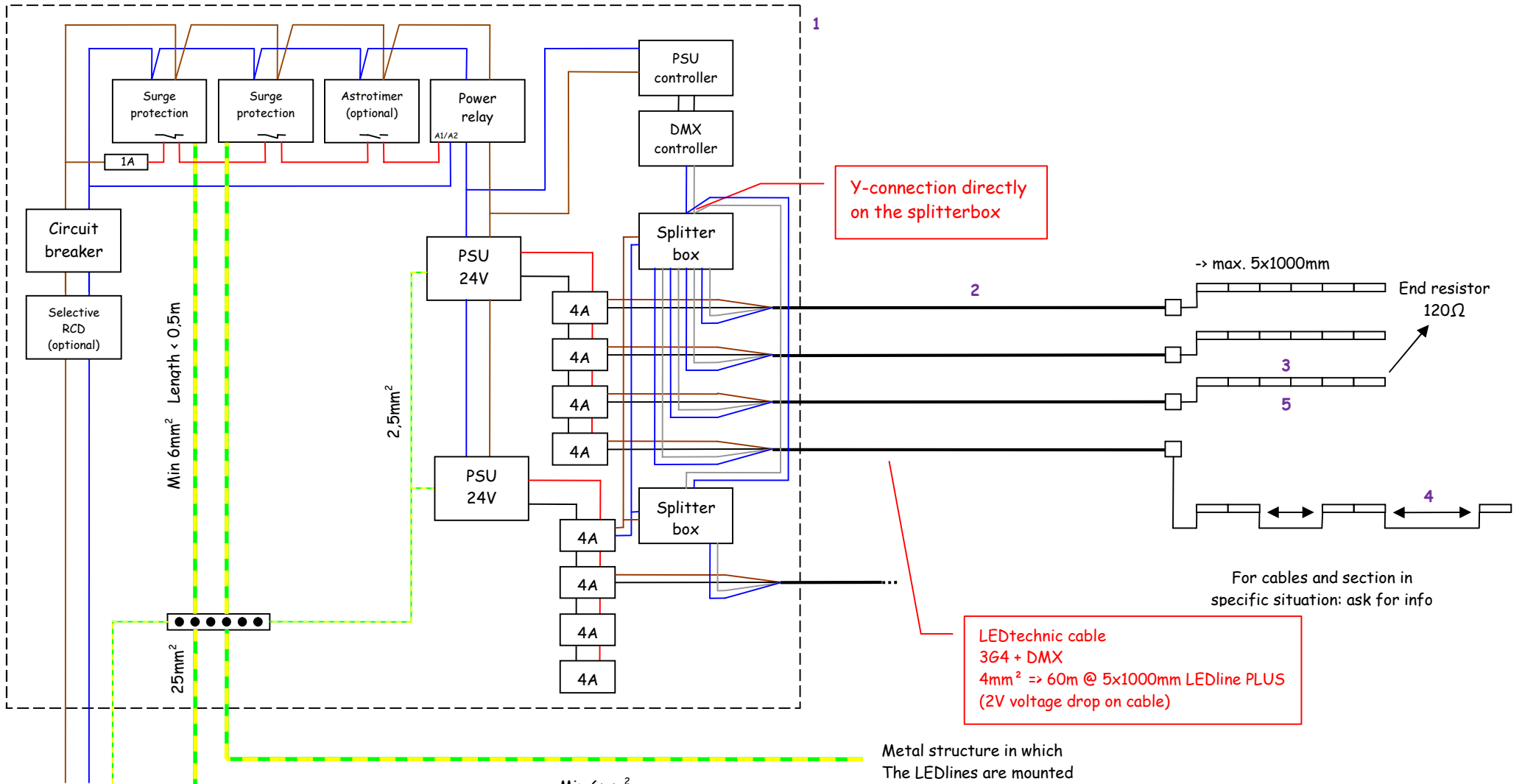
!! For earthing cables stranded wire has to be used !!



Ra < 10 Ω

Earthing pin next to PSU cabinet

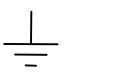
	Wiring	19/02/2018
	LEDline 2.0 PLUS RGB same address	



Y-connection directly on the splitterbox

LEDtechnic cable
 3G4 + DMX
 4mm² => 60m @ 5x1000mm LEDline PLUS
 (2V voltage drop on cable)

!! For earthing cables stranded wire has to be used !!

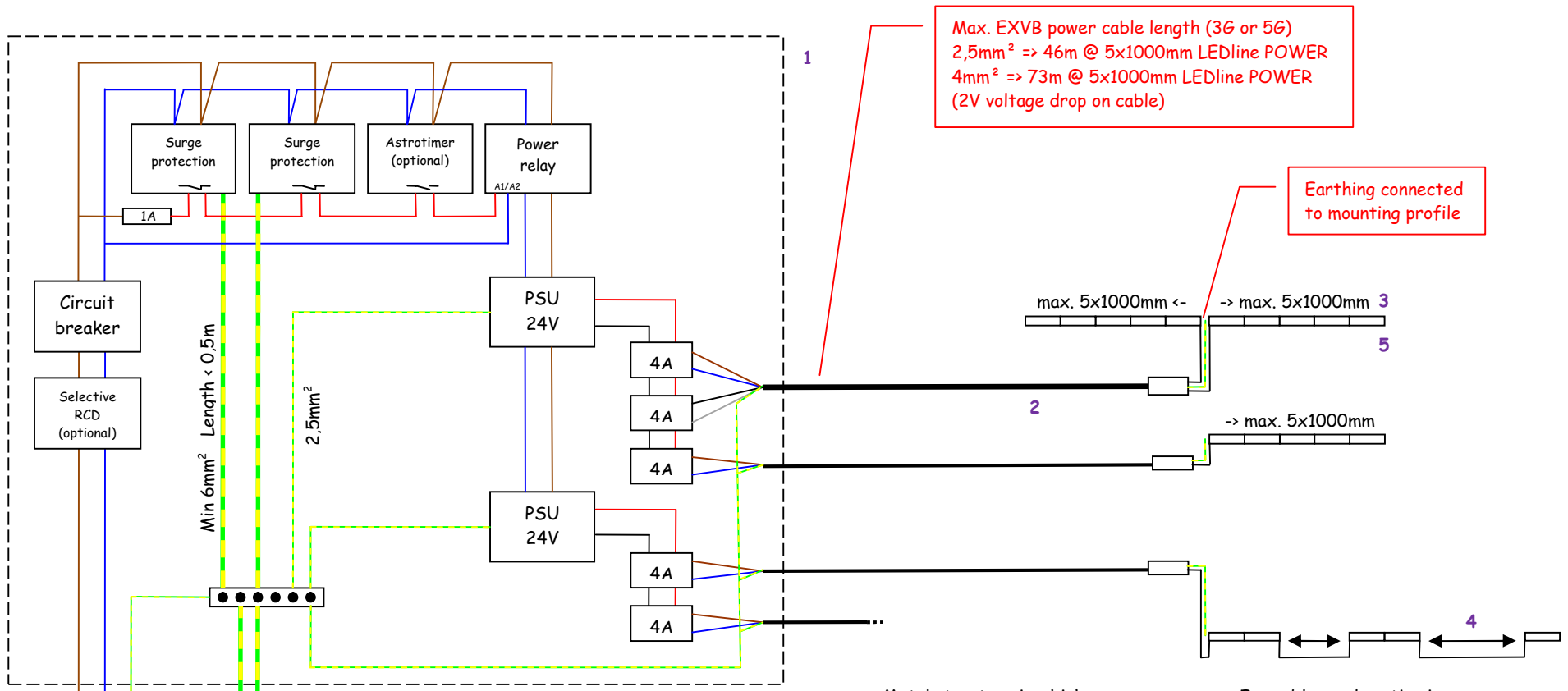


Ra < 10 Ω

Earthing pin next to PSU cabinet

- 1: Power Boxes pre-assembled
- 2: Power cables
- 3: LEDunits 2.0
- 4: Connection cables
- 5: Installation profiles

	Wiring	19/02/2018
	LEDline 2.0 PLUS RGB individual address	



Max. EXVB power cable length (3G or 5G)
 2,5mm² => 46m @ 5x1000mm LEDline POWER
 4mm² => 73m @ 5x1000mm LEDline POWER
 (2V voltage drop on cable)

Earthing connected to mounting profile

Min 6mm² Length < 0,5m

2,5mm²

Min 6mm²

230VAC
3x 2,5mm²

25mm²



!! For earthing cables stranded wire has to be used !!

Ra < 10 Ω

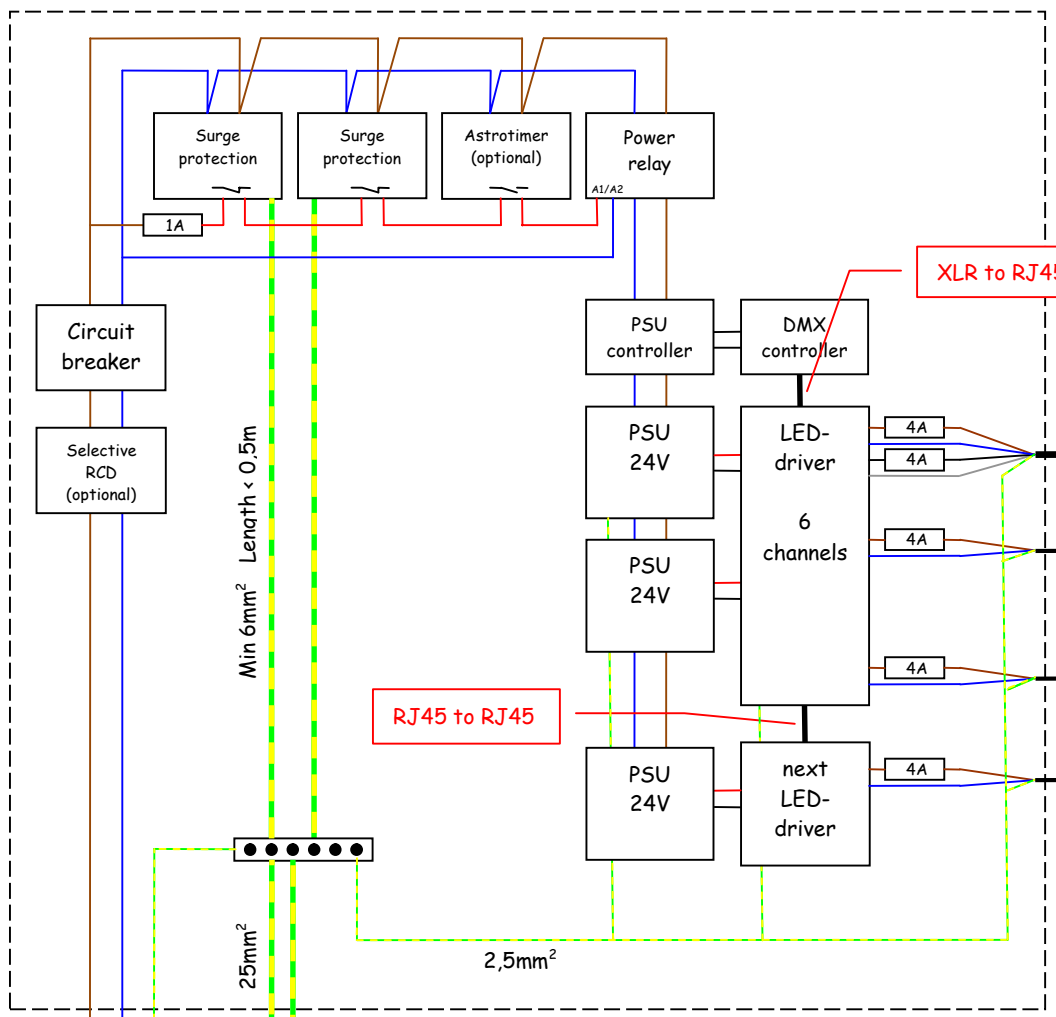
Earthing pin next to PSU cabinet

Metal structure in which the LEDlines are mounted

For cables and section in specific situation: ask for info

- 1: Power Boxes pre-assembled
- 2: Power cables
- 3: LEDunits 2.1
- 4: Connection cables
- 5: Installation profiles

<p>LED's illuminate your project!</p>	Wiring	28/02/2018
	LEDline 2.1 POWER monocolor	



Max. EXVB power cable length (3G or 5G)
 2,5mm² => 46m @ 5x1000mm LEDline POWER
 4mm² => 73m @ 5x1000mm LEDline POWER
 (2V voltage drop on cable)

Earthing connected to mounting profile

XLR to RJ45

RJ45 to RJ45

Min 6mm² Length < 0,5m

25mm²

2,5mm²

Min 6mm²

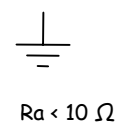
max. 5x1000mm <- -> max. 5x1000mm
 3
 5

-> max. 5x1000mm

For cables and section in specific situation: ask for info

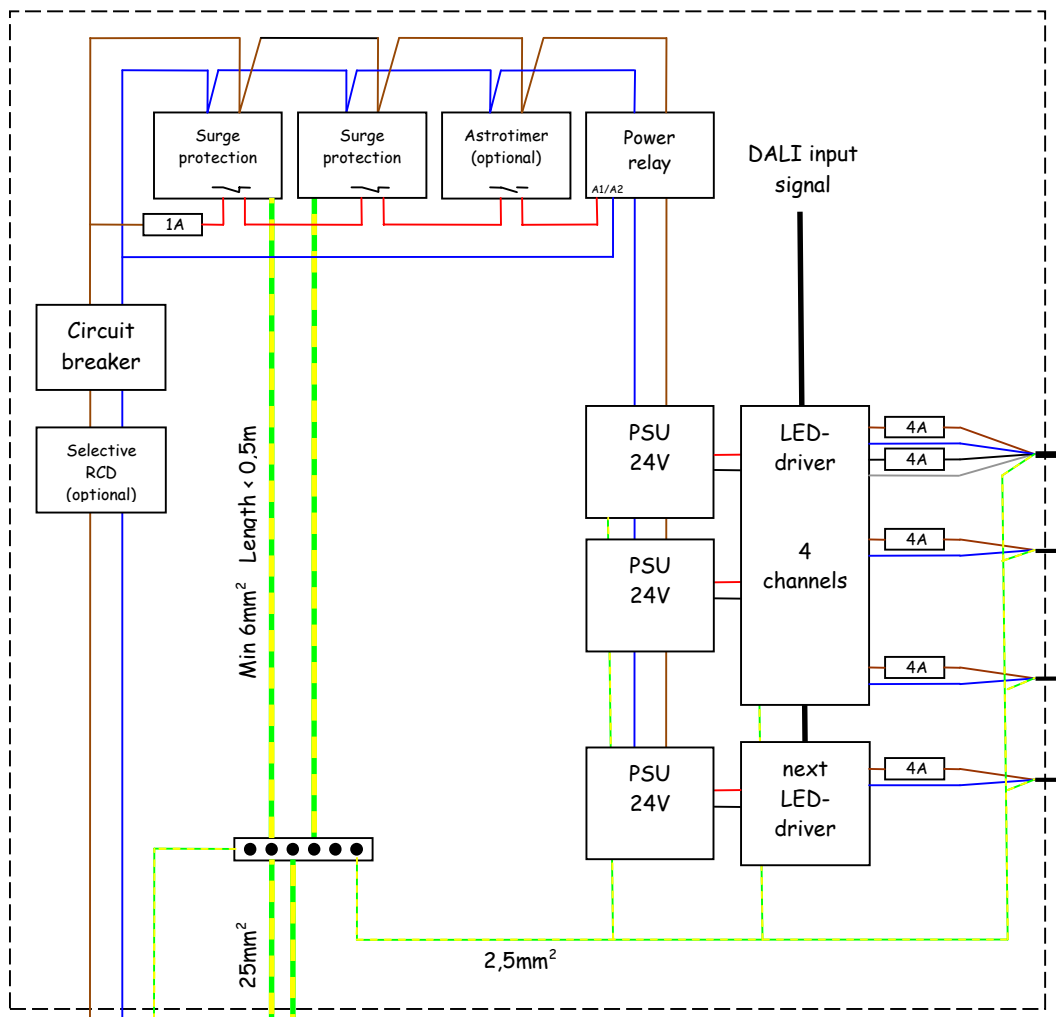
- 1: Power Boxes pre-assembled
- 2: Power cables
- 3: LEDunits 2.1
- 4: Connection cables
- 5: Installation profiles

!! For earthing cables stranded wire has to be used !!



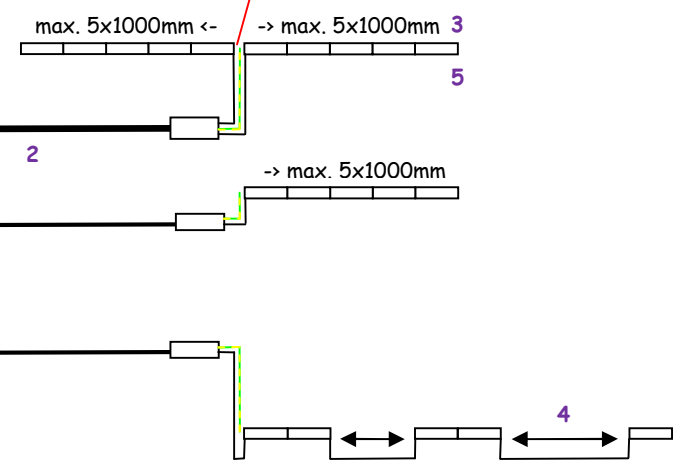
Metal structure in which the LEDlines are mounted

	Wiring	28/02/2018
	LEDline 2.1 POWER Monocolor dimming same address	



Max. EXVB power cable length (3G or 5G)
 2,5mm² => 46m @ 5x1000mm LEDline POWER
 4mm² => 73m @ 5x1000mm LEDline POWER
 (2V voltage drop on cable)

Earthing connected to mounting profile

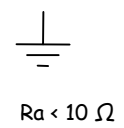


For cables and section in specific situation: ask for info

Metal structure in which the LEDlines are mounted


- 1: Power Boxes pre-assembled
- 2: Power cables
- 3: LEDunits 2.1
- 4: Connection cables
- 5: Installation profiles

!! For earthing cables stranded wire has to be used !!



Earthing pin next to PSU cabinet

230VAC
3x 2,5mm²

 <p>LED's illuminate your project!</p>	Wiring	23/05/2018
	LEDline 2.1 POWER Monocolor DALI dimming same address	

Max. Cable length overview

# LEDlines 1000mm	Cable section (mm2)	Mono ECO	Mono PLUS	Mono POWER	RGB same adress ECO	RGB same adress PLUS	RGB indiv. adress ECO	RGB indiv. adress PLUS
1	1,5	595	298	137	238	119		
2	1,5	298	149	69	119	60		
3	1,5	198	99	46	79	40		
4	1,5	149	74	34	60	30		
5	1,5	119	60	27	48	24		
6	1,5	99	50		40			
7	1,5	85	43		34			
8	1,5	74	37		30			
9	1,5	66	33		26			
10	1,5	60	30		24			
11	1,5	54						
12	1,5	50						
13	1,5	46						
14	1,5	43						
15	1,5	40						
16	1,5							
17	1,5							
18	1,5							
19	1,5							
20	1,5							
21	1,5							
22	1,5							
23	1,5							
24	1,5							
25	1,5							
1	2,5	992	496	229	397	198		
2	2,5	496	248	114	198	99		
3	2,5	331	165	76	132	66		
4	2,5	248	124	57	99	50		
5	2,5	198	99	46	79	40		
6	2,5	165	83		66			
7	2,5	142	71		57			
8	2,5	124	62		50			
9	2,5	110	55		44			
10	2,5	99	50		40			
11	2,5	90						
12	2,5	83						
13	2,5	76						
14	2,5	71						
15	2,5	66						
16	2,5							
17	2,5							
18	2,5							
19	2,5							
20	2,5							
21	2,5							
22	2,5							
23	2,5							
24	2,5							
25	2,5							
1	4	1587	794	366	635	317	571	301
2	4	794	397	183	317	159	286	150
3	4	529	265	122	212	106	190	100
4	4	397	198	92	159	79	143	75
5	4	317	159	73	127	63	114	60
6	4	265	132		106		95	
7	4	227	113		91		82	
8	4	198	99		79		71	
9	4	176	88		71		63	
10	4	159	79		63		57	
11	4	144						
12	4	132						
13	4	122						
14	4	113						
15	4	106						
16	4							
17	4							
18	4							
19	4							
20	4							
21	4							
22	4							
23	4							
24	4							
25	4							
1	6	2381	1190	549	952	476		
2	6	1190	595	275	476	238		
3	6	794	397	183	317	159		
4	6	595	298	137	238	119		
5	6	476	238	110	190	95		
6	6	397	198		159			
7	6	340	170		136			
8	6	298	149		119			
9	6	265	132		106			
10	6	238	119		95			
11	6	216						
12	6	198						
13	6	183						
14	6	170						
15	6	159						
16	6							
17	6							
18	6							
19	6							
20	6							
21	6							
22	6							
23	6							
24	6							
25	6							