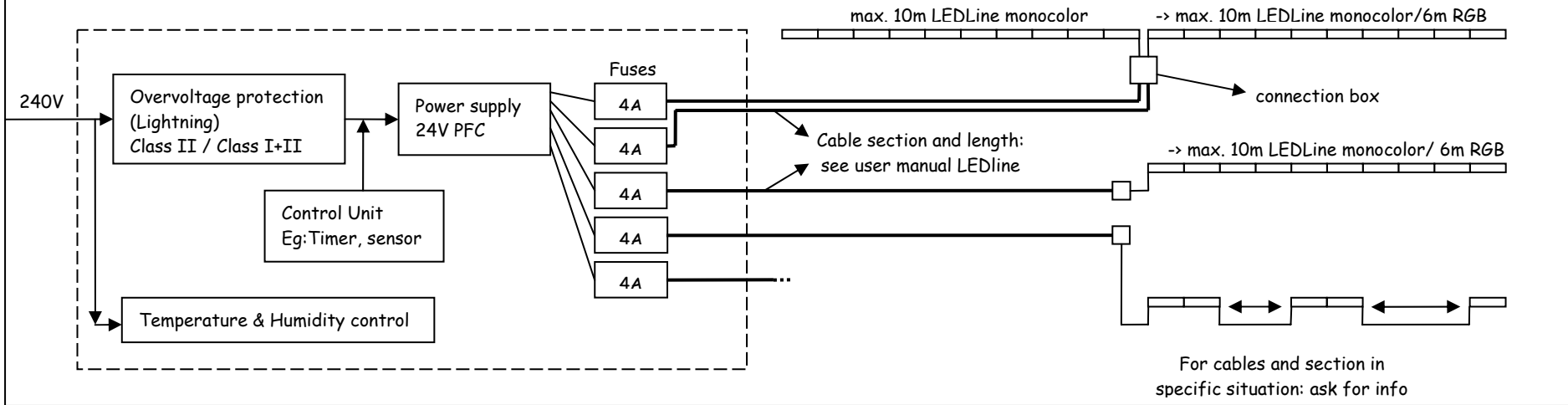
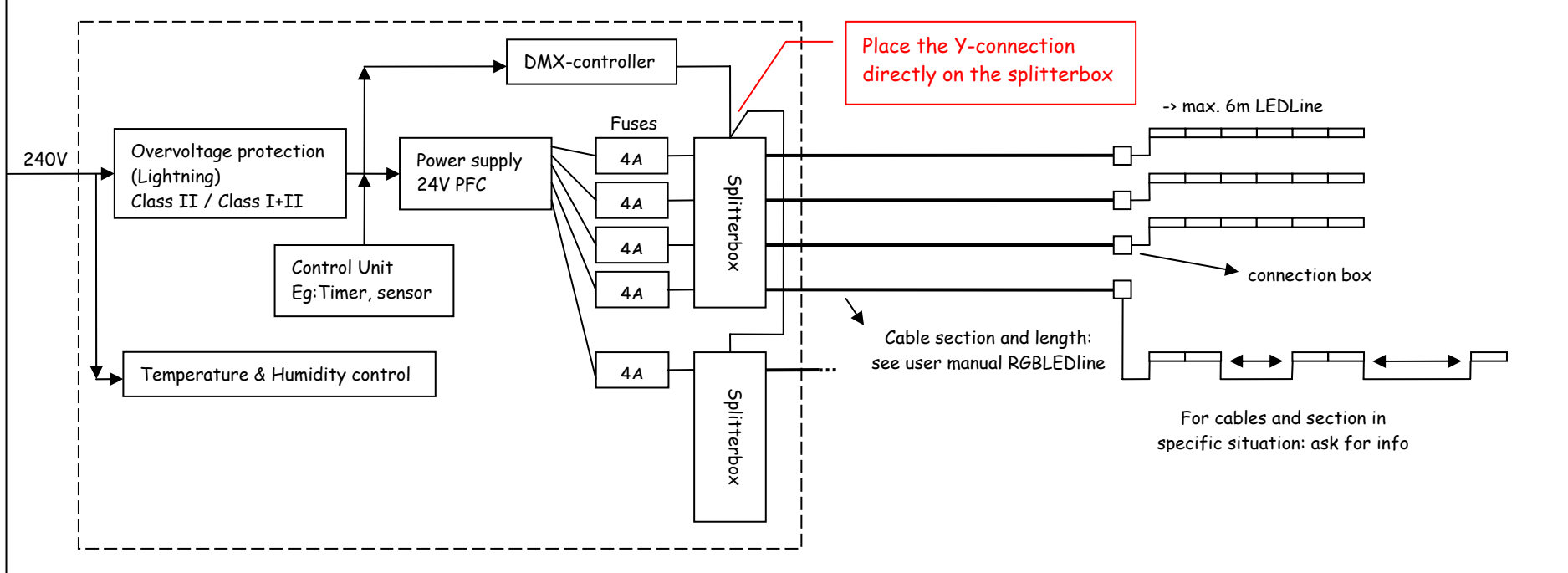


### Monocolor



### RGB



## Electrical precautions

- Do not exceed 10m monicolor and 6 meter of RGB LEDlines in one string
- Each string has to be fused @ 4A
- The first LEDline of a string has to receive 24VDC, therefore the power supply cable and the PSU(s) voltage has to be adjusted
  - o See table on last page
- When mounting the fixtures on a metal construction, this construction has to be grounded and connected to the grounding of the PSU(s)
- When installing the PSU(s) refer to the manufacturer for installation instructions
- The mains towards the PSU(s) has to be protected from lightning and overvoltage, so that the residual voltage never exceeds 1,5kV
- Wiring:
  - o Monicolor
    - Brown + 24VDC
    - Blue - 0V
  - o RGB
    - Brown + 24VDC
    - Black - 0V
    - White DMX+
    - Blue DMX-
- Inversed polarity can damage the fixture
- The LEDlines may not receive more then 27VDC

## Mechanical precautions

- Do not change or alter the cables and connectors of the fixture, when needed we can supply dismantled cables.
- Do not make changes to our products, such as adjusting the length, cutting in the aluminum,...
- Connectors that are not being used have to be protected against moisture (we can supply end-caps)
- However our connectors are rated IP68 we recommend using a adhesive lined heatshrink for additional protection of the connector.
- 2 pieces of U-profile are supplied with each LEDline, the large piece is for mounting, the smaller piece allows to interconnect the fixtures.
- Do not pull the connection cables of the LEDline as this can damage the fixture
- When fixed outdoors in-ground, it is important that the LEDline is in a well-drained environment. We recommend our LEDdrain.
- Prevent exposing the fixtures to chloride
- Do not damage the connection cables when 'clicking-on' the profiles
- Working temperature  $-20^{\circ}\text{C}$  to  $+60^{\circ}\text{C}$
- The connectors of the fixtures have to be tightened at a torque of 0,2 Nm
- The connection box between supply cable en LEDstring has to be waterproof

### Supply cable guidelines

The following table is calculated for a power supply with an output voltage of 26V. The maximum length is calculated in order to get 24V at the end of the supply cable.

# LEDlines 1000mm	Cable section (mm <sup>2</sup> )	Maximum distance monocolor (m)	Maximum distance RGB (m)
1	1,5	297,62	122,4
2	1,5	148,81	61,2
3	1,5	99,21	40,8
4	1,5	74,40	30,6
5	1,5	59,52	24,5
6	1,5	49,60	20,4
7	1,5	42,52	
8	1,5	37,20	
9	1,5	33,07	
10	1,5	29,76	
1	2,5	496,03	204,1
2	2,5	248,02	102,0
3	2,5	165,34	68,0
4	2,5	124,01	51,0
5	2,5	99,21	40,8
6	2,5	82,67	34,0
7	2,5	70,86	
8	2,5	62,00	
9	2,5	55,11	
10	2,5	49,60	
1	4	793,65	326,5
2	4	396,83	163,3
3	4	264,55	108,8
4	4	198,41	81,6
5	4	158,73	65,3
6	4	132,28	54,4
7	4	113,38	
8	4	99,21	
9	4	88,18	
10	4	79,37	
1	6	1190,48	489,8
2	6	595,24	244,9
3	6	396,83	163,3
4	6	297,62	122,4
5	6	238,10	98,0
6	6	198,41	81,6
7	6	170,07	
8	6	148,81	
9	6	132,28	
10	6	119,05	